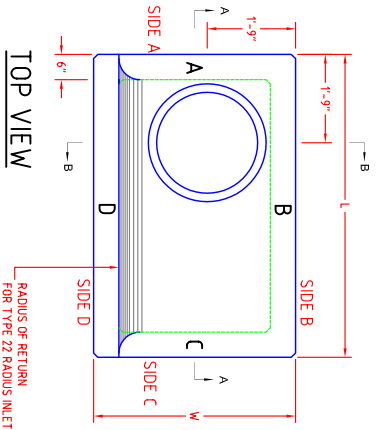
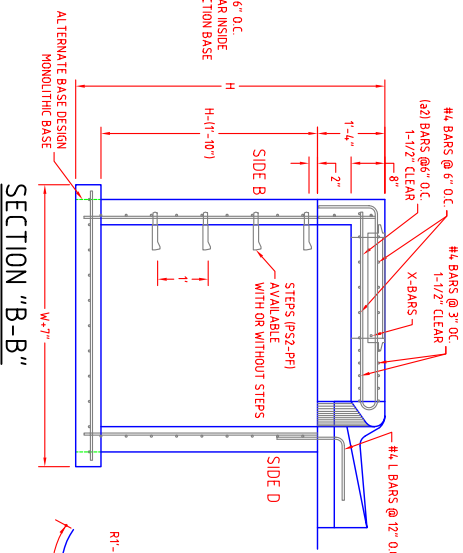
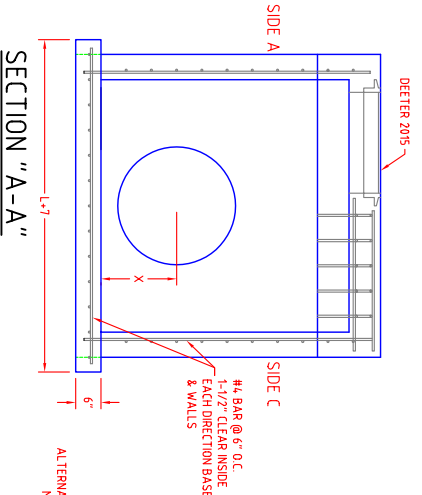
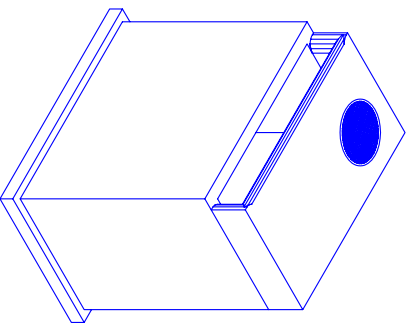


KDOT TYPE 22 CURB INLET



- PRECAST TOP NOTES:**
- 1-1/2" COVER ON ALL REINFORCING
 - CASTING TO MEET KDOT STANDARD

- STEP NOTES:**
- if (H) is less than 6' tall - NO STEPS REQUIRED
 - if (H) is greater than 6' - 4 STEPS REQUIRED
 - add 1 STEP for each 12" above 6'.



**-REINFORCING REBAR TO MATCH KDOT STANDARD
TYPE 22 PRECAST INLET: RD752 SL**

